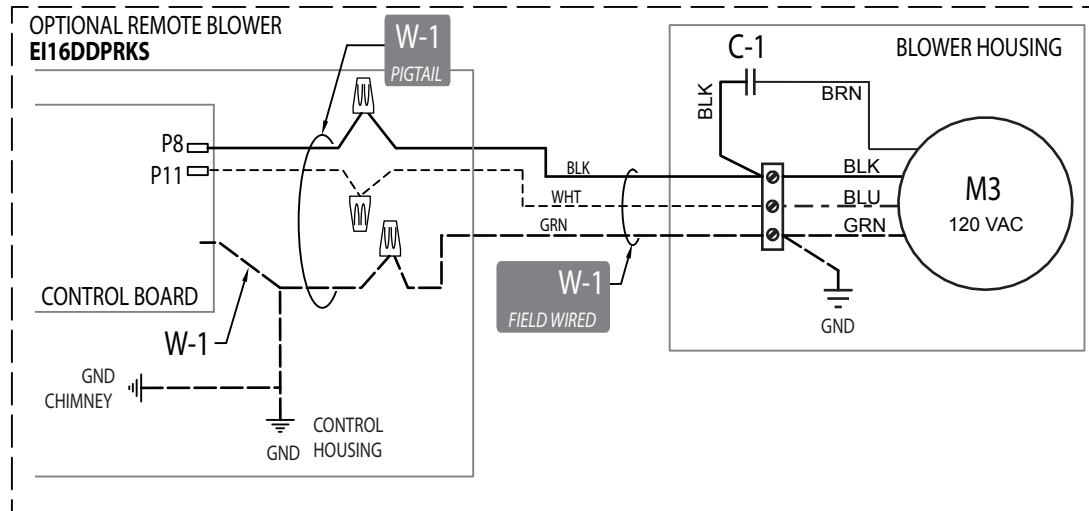
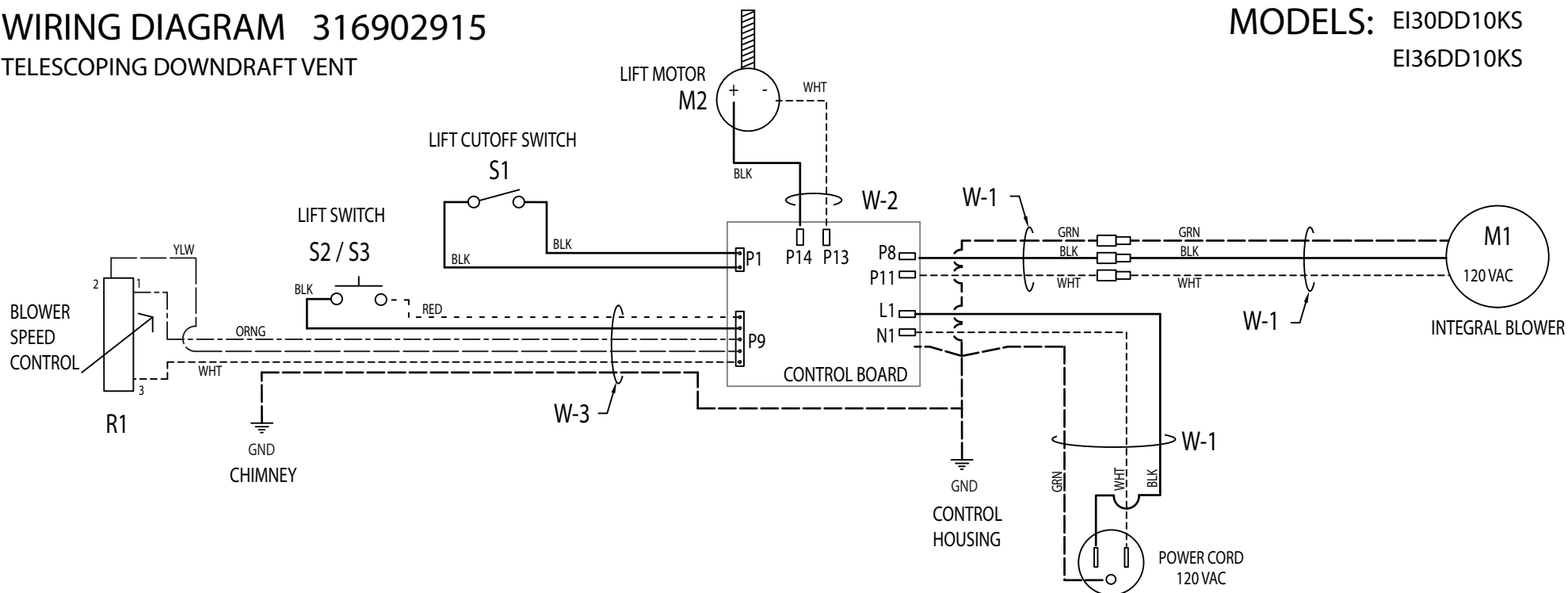


WIRING DIAGRAM 316902915

TELESCOPING DOWNDRAFT VENT

MODELS: EI30DD10KS

EI36DD10KS



COMPONENT SPECIFICATIONS

COMPONENT	NAME	DESCRIPTION	
M1	MOTOR	500 WATTS, 120VAC, 18 AWG 105°C, 600 VAC	
M2	MOTOR	32VDC	
M3	MOTOR	400 WATTS, 120VAC	
M4	MOTOR	280 WATTS, 120VAC	
R1	RESISTOR	0-14K Ω VARIABLE SLIDE RESISTOR	*
S1	SWITCH	MAGNETICALLY ACTUATED, 10 WATTS, 200 VDC MAX, WIRE 24 AWG PVC 105°C	*
S2	SWITCH	NORMALLY OPEN MOMENTARY PUSH, 10A 14VDC. USED ON EI MODELS	*
W-1	WIRE	18 AWG 90°-105°C 300-600 VOLTS USED ON: POWER CORD AND METALLIC SHIELDED CABLE FOR MOTOR M-1, M-3, M-4	*
W-2	WIRE	20 AWG 90°C	*
W-3	WIRE	22 AWG 90°C	*
S3	SWITCH	NORMALLY OPEN MOMENTARY MICRO, 1/2A 125VDC. USED ON FH MODELS	*
C1	CAPACITOR	25 μF 450 VOLTS	

ARTWORK: 726-0355-001 REV G

* ISOLATED LOW VOLTAGE

KIT: 726-0355-000 REV G